

## WAFER SWING CHECK VALVE



**Size :** DN 40 to 600  
**Ends :** Between flanges PN10/16  
**Min Temperature :** - 10°C  
**Max Temperature :** +80°C in NBR, 110°C in EPDM , 180°C in FKM  
**Max Pressure :** 16 Bars up to DN200 ( 10 bars over )  
**Specifications :** Wafer swing check valve  
Vertical or horizontal position  
Between flanges type

**Materials :** Carbon steel or Stainless steel

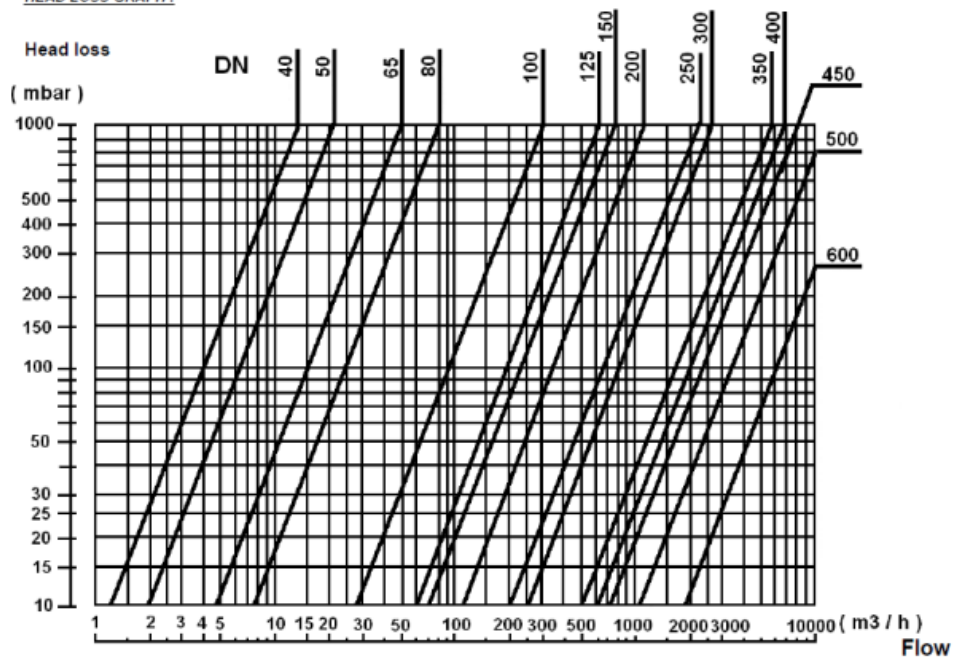
### SPECIFICATIONS :

- Wafer swing check valve
- Vertical position with ascendant fluid or horizontal position ( respect the flow direction indicated by the arrow )
- Between flanges PN10/16
- With hoisting eye
- Short length
- Economical solution
- Monobloc disc and stem for a better mechanical strength
- Integrated body gasket

### USE :

- Heating, water distribution and watering
- Min and max Temperature Ts : - 10°C to + 80°C for carbon steel NBR type Ref.351
- Min and max Temperature Ts : - 10°C to + 110°C for carbon steel EPDM type Ref.364
- Min and max Temperature Ts : - 10°C to + 180°C for stainless steel FKM type Ref.365
- Max Pressure Ps : 16 bars up to DN 200 included and 10 bars over
- Do not use with pulsatory speed
- Max Speed : 3 M. / Sec.

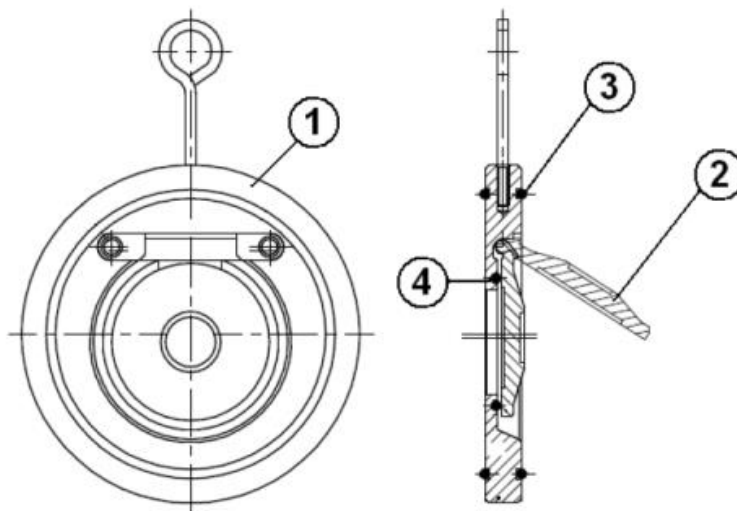
HEAD LOSS GRAPH :



RANGE :

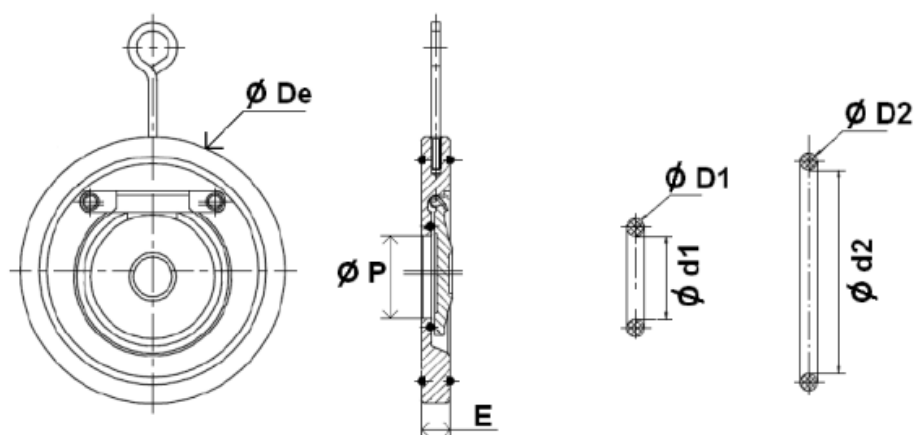
- Galvanized carbon steel body with NBR gasket between flanges PN16 Ref. 351 DN40 to DN 300
- Galvanized carbon steel body with EPDM gasket between flanges PN16 Ref. 364 DN40 to DN 600
- Stainless steel body with FKM gasket between flanges PN16 Ref. 365 DN40 to DN 600
- Stainless steel body with FKM gasket between flanges PN10 Ref. 365401 and 365451 DN400 to DN 450

MATERIALS :



Item	Designation	Materials 351	Materials 364	Materials 365
1	Body	Carbon steel with chromium plated Q235	Carbon steel with chromium plated Q235	ASTM A351 CF8M
2	Disc	Carbon steel with chromium plated Q235	Carbon steel with chromium plated Q235	ASTM A351 CF8M
3	Seat	NBR	EPDM	FKM
4	Gasket	NBR	EPDM	FKM

SIZE BETWEEN PN16 FLANGES TYPES ( in mm ):



Ref.	DN	40	50	65	80	100	125	150	200	250	300	350	400	450	500	600
351 364 / 365	E	14	14	14	14	18	18	20	22	26	32	38	44	50	56	62
	$\varnothing De$	94	109	129	144	164	194	220	275	331	386	446	497	557	619	736
	$\varnothing P$	22	32	40	54	70	92	112	154	192	227	270	315	358	410	490
	$\varnothing d2$	73.5	84.5	104.5	112.5	140.5	164.5	193.5	249.5	295.5	314.5	387	437	488	536	632
	$\varnothing D2$	3.5	3.5	3.7	3.7	3.7	3.5	3.7	3.7	3.5	6	8	8	8	8	8
	$\varnothing d1$	26.5	36.5	49.5	62	76.5	97.5	118.5	163.5	202.5	242	285	330	377	428	512
	$\varnothing D1$	2.35	2.35	2.7	2.7	3.7	3.5	3.5	3.5	3.5	6	8	8	8	8	8
351 / 364	Weight (in Kg)	0.69	0.86	1.2	1.49	2.42	3.29	4.72	7.92	13.73	21.04	31.5	47	70	96	135
365	Weight (in Kg)	0.68	0.9	1.27	1.53	2.47	3.42	4.8	8.7	14.03	25.1	31.5	47	70	96	135