

Odvzdušňovač závitový plovákový PN16

STAINLESS STEEL AIR ELIMINATOR

MAIN CHARACTERISTICS

The stainless steel air eliminator HA62 allows to eliminate the air or an incondensable gas on a circuit of liquid. Its implementation improves the flow of the fluid in the pipings, prevents the creation of noises and the corrosion by the oxygen and protect the pumps of circulation. Made in stainless steel 316, the HA62 suits for a large number of applications. It must be installed in vertical position top of the volume to be drained.



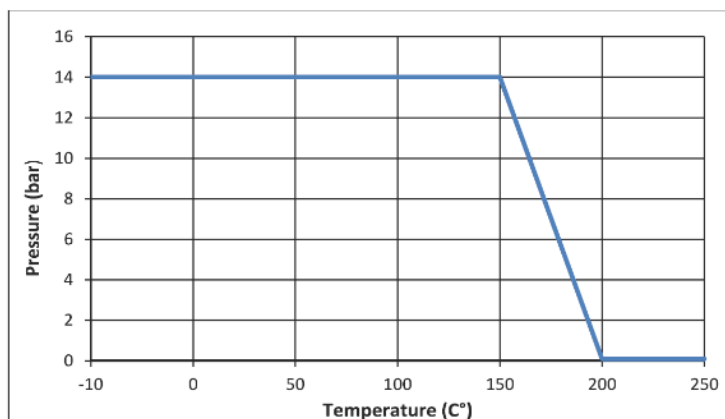
AVAILABLE MODELS

Connecting low : G 3/4"

Connecting blowhole: G 1/2"

LIMITS OF USE

Body calculation pressure :	25 bar
Max allowed fluid pressure : PS	14 bar
Max allowed fluids temperature : TS	-10 °C / +200 °C



Odvzdušňovač závitový plovákový PN16

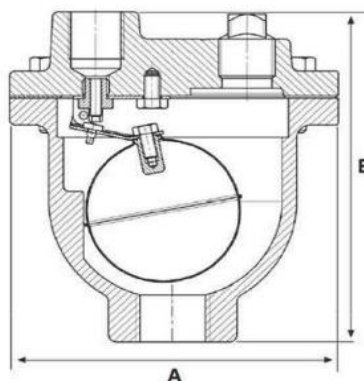
STAINLESS STEEL AIR ELIMINATOR

REGULATIONS AND STANDARDS OF CONSTRUCTION

Item	Standard
Pressure equipment directive 97/23	G 1/2"- G 3/4" : A3 § 3 excluded
Stainless steel materials	EN 1503-1
BSP thread	ISO 228

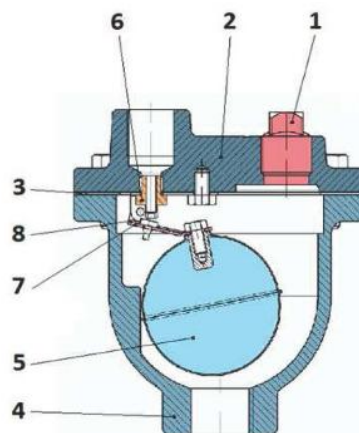
DIMENSIONS (mm) AND WEIGHT (kg)

DN	A	B	Weight (Kg)
3/4"	122	134	2,8



CONSTRUCTION

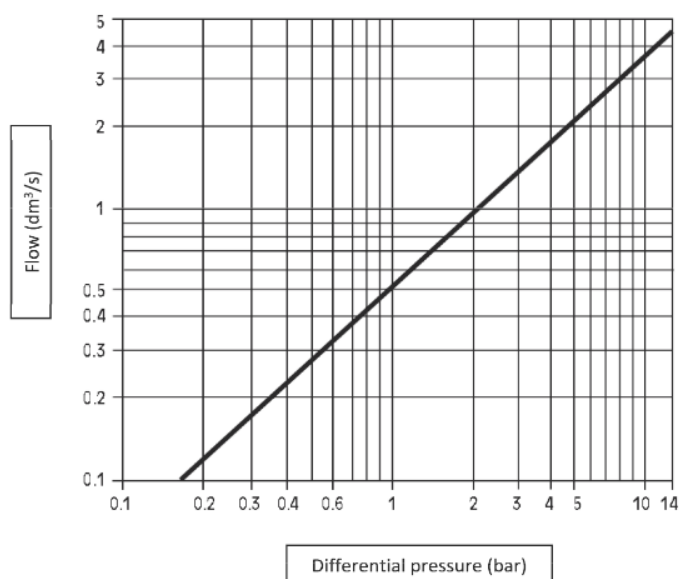
N°	Item	Material
1	Plug	Stainless steel AISI 304
2	Cover	Stainless steel 1.4408
3	Gasket	Graphite
4	Body	Stainless steel 1.4408
5	Float	Stainless steel 316
6	Seat	Stainless steel AISI 304
7	Lever	Stainless steel AISI 304
8	Disk gasket	FPM



Odvzdušňovač závitový plovákový PN16

STAINLESS STEEL AIR ELIMINATOR

ELIMINATOR FLOWRATE (dm³ /s)



INSTALLATION

The HA62 eliminator must be installed on a vertical pipe at the top compared with the network to be drained. Upstream, it is recommended to install a full bore stop valve in 3/4 ". Respect the sense of assembly of the eliminator. Off-centered exit on the top. The exit of the eliminator must be rather connected towards a drain without danger.

